

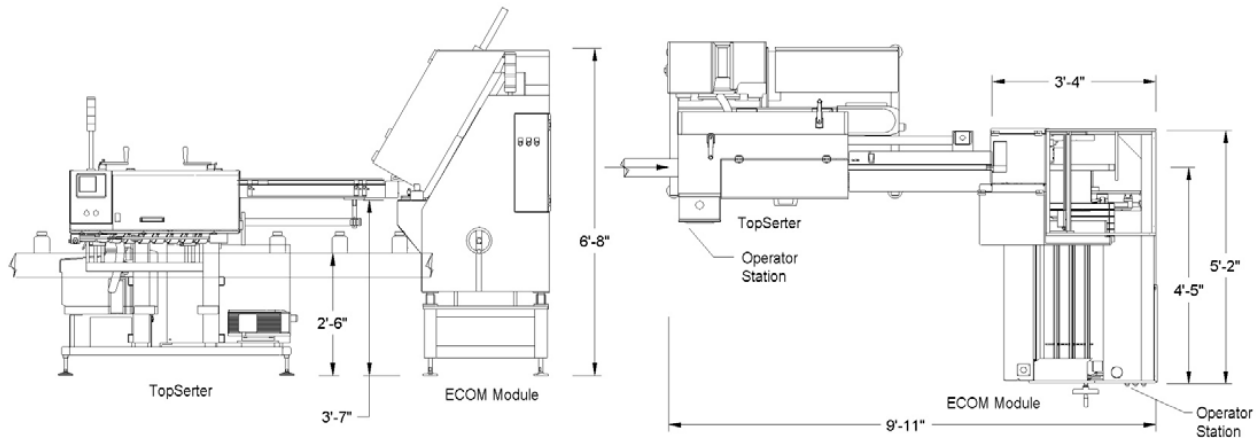
ECOM™ EXTENDED CAPACITY OUTSERT MODULE



ECOM™ with standard
24 tray capacity shown

FEATURES & BENEFITS:

- Filled trays of outserts are placed into the angled powered tray magazine
- Loading trays into the finger-safe conveyance system is ergonomically friendly, safe, easy and quick
- Covered or sleeved trays are not required which saves material cost
- Convenient shelf provided for preparing and staging of trays
- Interfaces with the MGS TopSserter II™, SideWinder™ or certain other OEM machines
- Tool-less changeovers accomplished in minutes
- Construction fully supports ANSI/PMMA B155.1 safety and cGMP guidelines
- The ECOM™ is a self-contained module that may field install without validation



STANDARD MACHINE FEATURES:

- Three foot long, powered magazine
- Powered tray handling
- Powered “Empty Tray Assist” mechanisms ensuring all outserts are removed
- Stacklight alarm system
- Empty tray discharge chute
- Tool-less changeover
- Stainless steel tubular welded frame

OPTIONAL FEATURES:

- Extended (longer) Powered Tray Magazine
- Long tray extension kit
- Catch bin for empty tray discharge

MAXIMUM SPEEDS:

- Automatic unloading of up to 10 trays per minute

TYPICAL UTILITY REQUIREMENTS:

- ELECTRICAL: 115 VAC 1 Ph 50/60 Hz or 230 VAC 3 Ph 50/60 Hz
- AIR: 80 PSI Filter & Regulator Provided

PRODUCT SIZE RANGE:

Outserts:

- Min: 1 1/8" x 1 1/8" x 1/8"
- Max: 2" x 2" x 1/2"

Tray Lengths:

- Min: 16"
- Max: 39" standard, 48" with extension kit

(Above is for standard machine size range. Deviations are available)