

# Specialty Packaging Series Streamfeeder ST-1250 Vacuum Transport



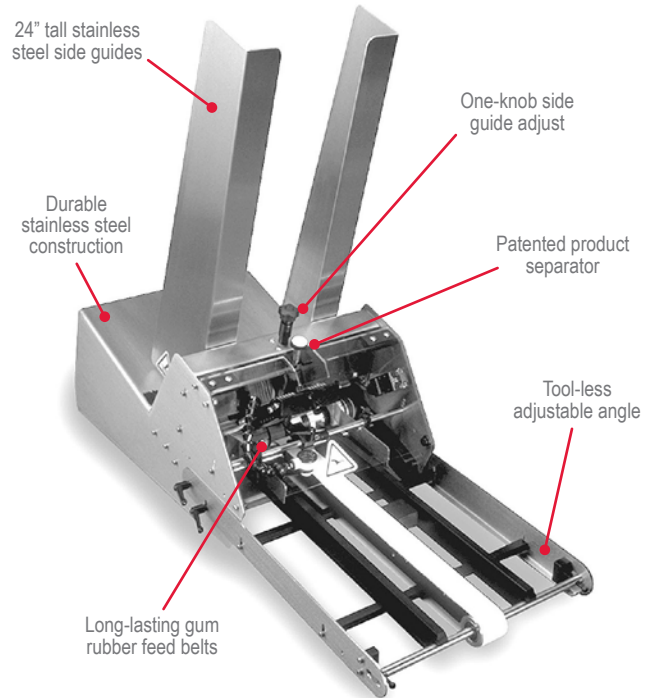
## Overview

The ST-1250 Vacuum Transport is ideal for applications requiring bar code reading, data scanning, printing, coding, labeling, and more. The 14" long vacuum transport holds the product to the belt decreasing the chance for skew and increasing system efficiency\*. The feature-rich *iQuipped Intelligent System Controller* provides high performance operation with user-friendly menus. The ST-1250 Vacuum Transport is a perfect small footprint universal feed system and easily integrates mechanically and electrically for increased system efficiency.

Feed a wide variety of flat and multi-thickness products into shrink wrappers, poly baggers, banders, collators, case packers, boxes, and more. Operates on-demand one at a time, continuous motion, or in batch sets up to 9999 pieces.

## Standard Features

Vacuum fluorescent display with easy to use menus • Long-lasting natural rubber feed belts • One-knob side guide positioning • Patented Advancing O-ring separator for product separation • Tool-less transport angle adjustment • Miss-detect • Timeout stop • Photo-sensor trigger input • Isolated inputs / outputs for system integration • Trigger delay • Self-triggering feature for stand-alone operation • Stainless steel construction



## Applications (ask us about your application)

Shrink Wrappers	Labelers	Quality Inspection
Bar Code Verification	Date/Lot Code Printers	Container Machines
Carton Machines	Flow Wrappers	Addressing Bases

## Products (ask us about your products)

Coupons	Backer Cards	Labels
Business Reply Cards	Pharma Inserts	Sheet Paper
Pick Lists	Instruction Sheets	Signs
Advertisements	Invoices	and more...
Stickers	Collapsed Cartons	

\*Vacuum blower available separately

## Specifications

Maximum Product Size	12 W x 14 L in (305 x 357 mm)
Minimum Product Size	2 W x 2.5 L in (51 x 64 mm)
Min/Max Product Thickness	.003 - 1.00 in (.076 - 25.4 mm)
Belt Speed	5500 in/min (140 m/min)
Batch Size	1-9999
Utilities	Feeder: 115/230vac, 50/60Hz, 3A Vacuum Blower*: 115/230vac, 50/60Hz, 6A
Weight	89 lbs. (40 kg)
Warranty	One year limited

*Other sizes and thickness capabilities available. Contact us for your application.*

**FOOTPRINT DRAWING AVAILABLE AT:**  
[www.streamfeeder.com/footprints.html](http://www.streamfeeder.com/footprints.html)  
 or scan the QR Code

